



LED Steady Flashing Beacons Q



Type	Description	Specifications	Catalog Number	Price
	Replace with lens color		Red Housing	
	QDS LED Steady-/Flashing beacon size 1 - 94mm	24 V AC/DC 48 V AC/DC 110/120 V AC 230/240 V AC	874 16 405 874 16 408 874 16 310 874 16 313	197.66
	QDM LED Steady-/Flashing beacon size 2 - 132mm	24-48 V AC/DC 110-240 V AC/DC	874 26 408 874 26 413	317.11
	QDL LED Steady-/Flashing beacon size 3 - 184mm	24-48 V AC/DC 110-240 V AC/DC	874 36 408 874 36 413	661.72
	QDX LED Steady-/Flashing beacon size 4 - 228mm	24-48 V AC/DC 110-240 V AC/DC	874 46 408 874 46 413	1190.23

Strobe Beacons Q



Type	Description	Specifications	Catalog Number	Price
	Replace with lens color		Red Housing	
	QFS Xenon Strobe beacon size 1 - 94mm	24-48 V AC/DC, 5 J 110/120 V AC, 5 J 230/240 V AC, 5 J	874 56 408 874 56 310 874 56 313	168.44
	QFM Xenon Strobe beacon size 2 - 132mm	24-48 V AC/DC, 10 J 110/120 V AC, 10 J 230/240 V AC, 10 J	874 66 408 874 66 310 874 66 313	243.20
	QBL LED Multi-Strobe beacon 3 strobe patterns size 3 - 184mm	24-48 V AC/DC 110-240 V AC/DC	874 76 408 874 76 413	665.16
	QBX LED Multi-Strobe beacon 3 strobe patterns size 4 - 228mm	24-48 V AC/DC 110-240 V AC/DC	874 86 408 874 86 413	1203.13

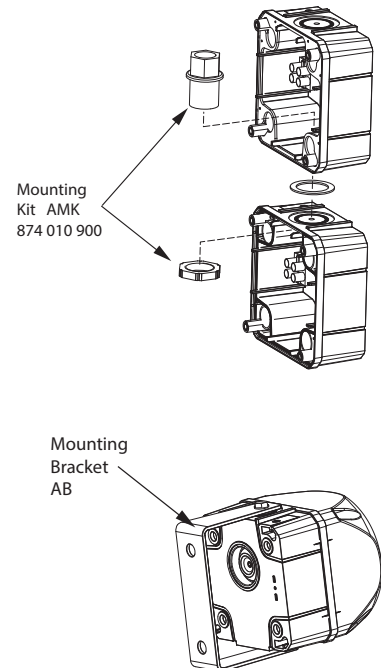
QFS/QFM Strobe Beacons only available in Red, Amber or Yellow

QBL/QBX Strobe Beacons only available in Red or Amber



Beacons Q can be combined for multi-color units using the AMK Mounting Kit. Or combine with Sounder A for visual and audible signaling. Order components separately.

Beacons and Alarms



Accessories for Beacons Q



Type	Description	For use with...	Catalog Number	Price
	AMK Mounting kit	for combinations of multi-tone sounders "A" and/or beacons "Q"	874 010 900	14.61
	Flat gasket		874 021 900 874 022 900 874 023 900 874 024 900	20.63 24.06 30.94 39.53
	Metal Mounting bracket Kit	multi-tone sounders "A" and/or beacons "Q"	874 031 900 874 032 900 874 033 900 874 034 900	53.28 60.16 84.22 96.25
	AKV Cable gland M20 x 1.5		698 800 026	8.59

- 1 To complete the catalog no., replace the with one of the following numbers for desired lens color:
1 = Amber, 2 = Red, 4 = Clear, 5 = Blue, 6 = Green, 7 = Yellow.
- 2 Metal bracket for mounting of single device only.