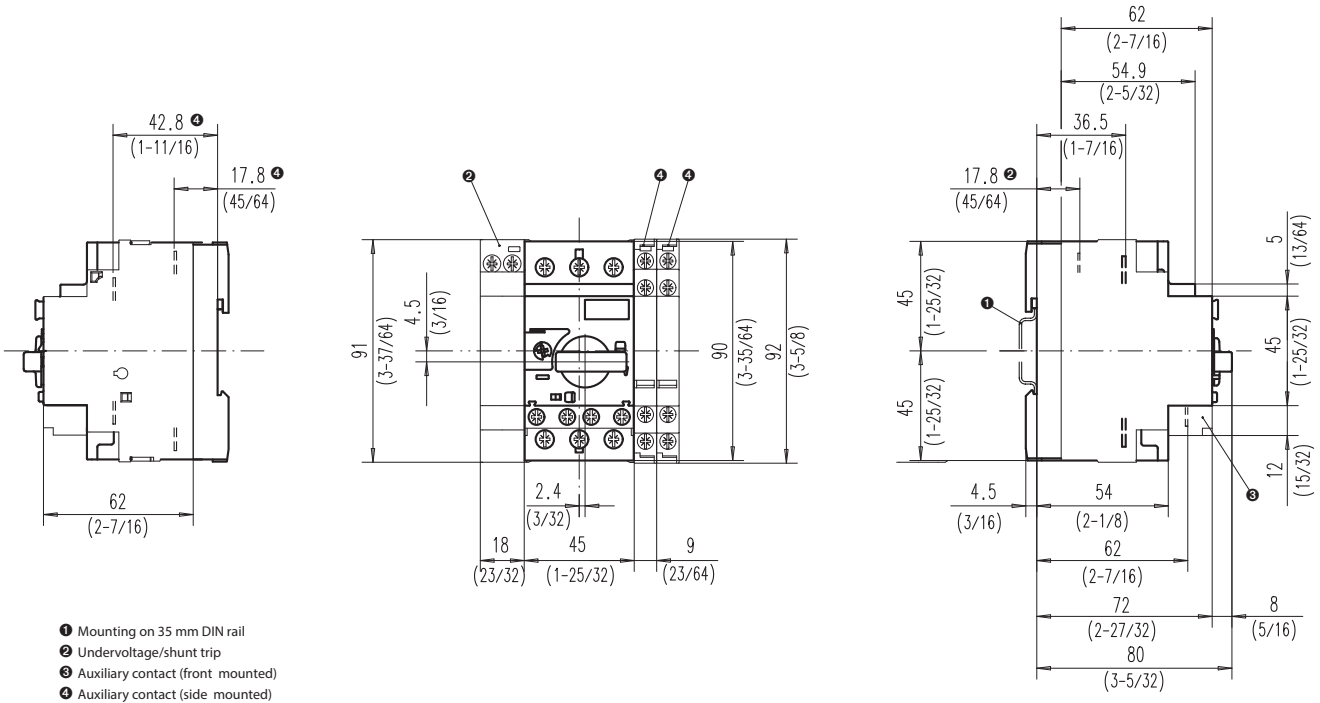
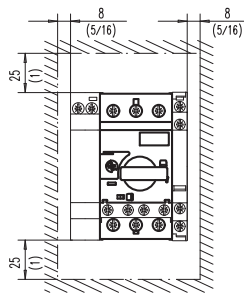


**KTV7-25/32 Motor Circuit Controllers**

Dimensions are in millimeters (inches). Dimensions not intended for manufacturing purposes.



**Minimum distance to grounded parts or walls**



**KT7-TE1 Type E adapter on KTV7**

