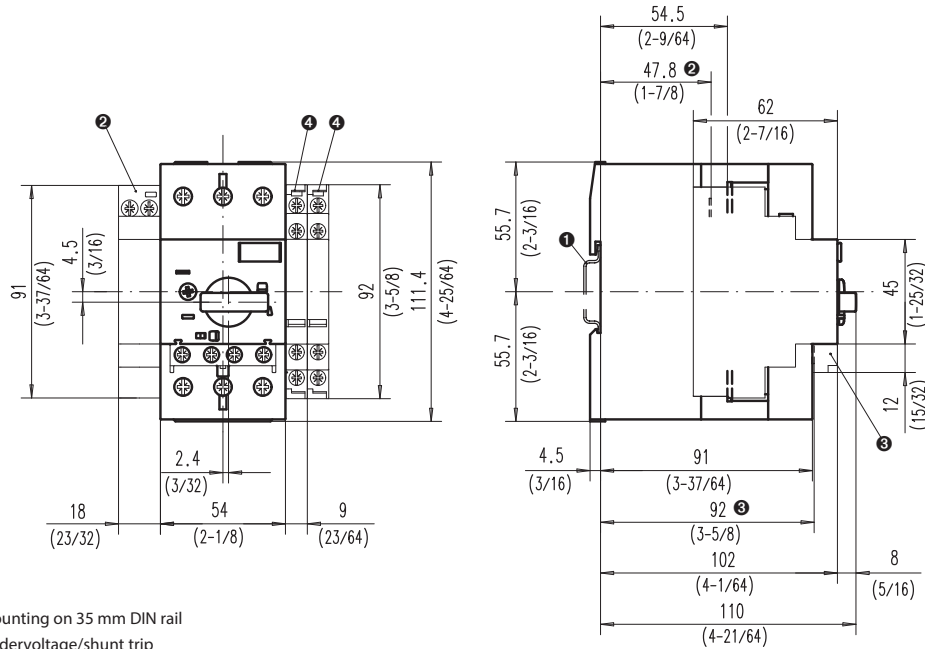


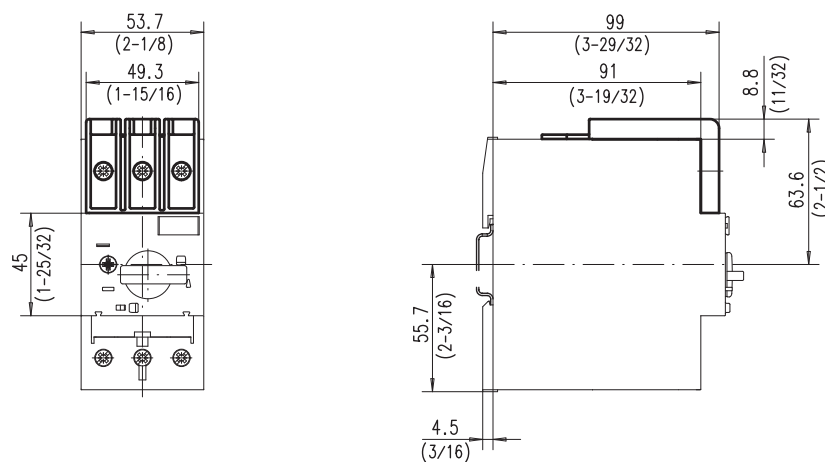
**KT\_7-45H Motor Circuit Controllers (without Terminal Adaptor KT7-45-TE)**

Dimensions are in millimeters (inches). Dimensions not intended for manufacturing purposes.



KT\_7-45H

**KT\_7-45H Motor Circuit Controllers (with Terminal Adaptor KT7-45-TE)**



KT\_7-45H

