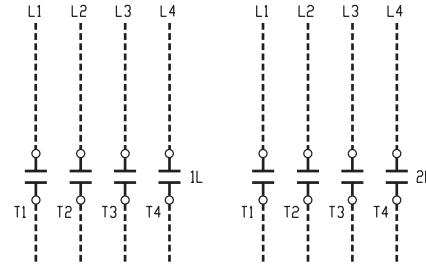
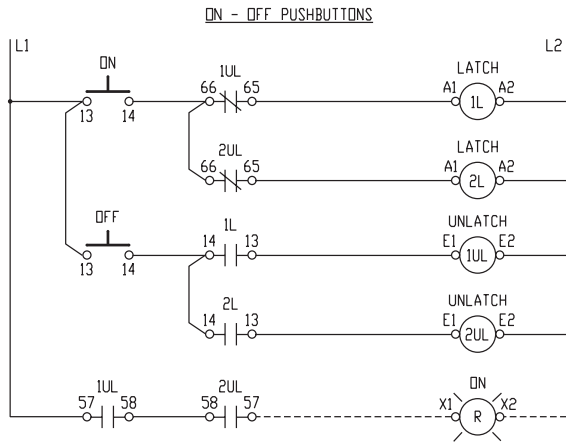


GAL7 Lighting Contactor with CAV Mechanical Latch B



CAV OPERATION:

CAV CONSISTS OF CA7 CONTACTOR "L" WITH CV7-11 MECHANICAL LATCH "UL".
 AFTER "L" COIL IS ENERGIZED AND THE CONTACTOR CLOSES, THE MECHANICAL LATCH MECHANICALLY LOCKS THE CONTACTOR IN THE CLOSED POSITION. THE "L" COIL IS THEN DE-ENERGIZED BY THE COIL CLEARING CONTACT "UL" TO REMOVE VOLTAGE.
 AFTER THE "UL" COIL IS ENERGIZED, THE MECHANICAL LATCH RELEASES THE CONTACTOR. THE "UL" COIL IS IMMEDIATELY DE-ENERGIZED BY THE COIL CLEARING CONTACT "L" TO REMOVE VOLTAGE. THE CONTACTOR IS NOW OPEN.

NOTES:

- 1) "L": CA7 CONTACTOR.
- 2) "UL": CV7-11 MECHANICAL LATCH. (THE CV7 COIL IS MOMENTARY RATED ONLY)
- 3) CONNECT CONTROL CIRCUIT DIRECTLY TO LINE (L1) & (L2) OF CONTACTOR IF COIL VOLTAGE IS 208V OR ABOVE.
- 4) DO NOT CONNECT CONTROL CIRCUIT DIRECTLY TO LINE (L1) & (L2) OF CONTACTOR IF COIL VOLTAGE IS 120V OR LESS. (FACTORY WIRING STANDARD)
- 5) X1 & X2 INDICATES CONNECTION TO REMOTE CONTROL SOURCE.