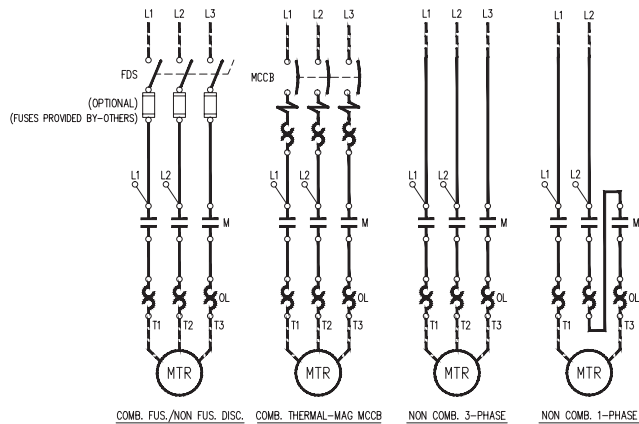
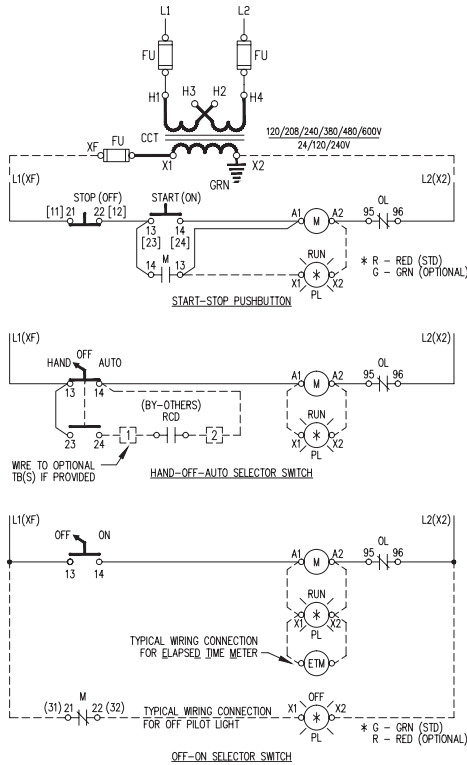
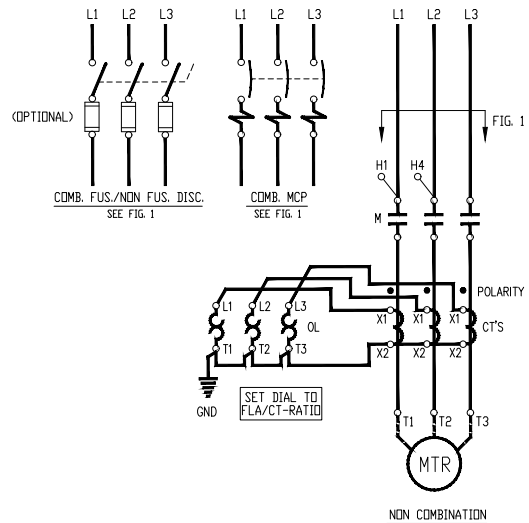
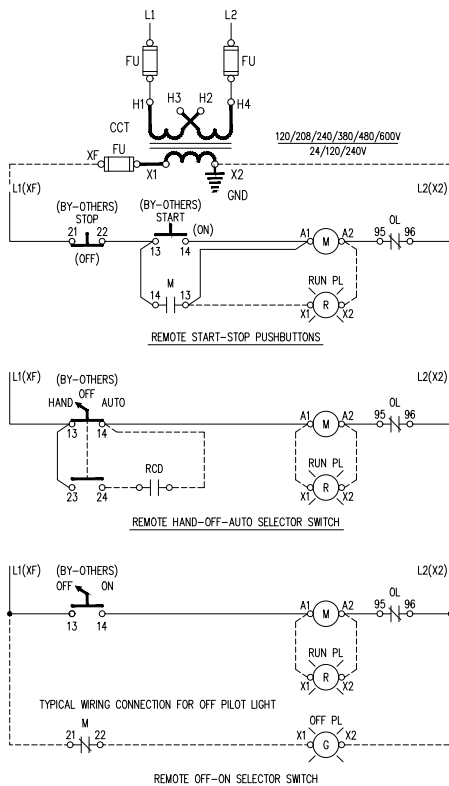


Motor Starters - Non-Reversing



- NOTES:
- 1) X2 TERMINAL GROUNDED AS STANDARD, REMOVE GROUND IF NOT REQUIRED.
 - 2) RCD: STANDS FOR REMOTE CONTROL DEVICE BY CUSTOMER.
 - 3) [] : FOR MULTIFUNCTION TERMINAL NUMBERS.
 - 4) () : FOR ALT. AUX. CONTACT TERMINAL NUMBERS.

Motor Starters - Non-Reversing (with Current Transformers)



- NOTES:
- 1) RCD: STANDS FOR REMOTE CONTROL DEVICE BY CUSTOMER.
 - 2) X2 TERMINAL GROUNDED AS STANDARD, REMOVE GROUND IF NOT REQUIRED.
 - 3) REFER TO PAGE B13 FOR CURRENT SETTING GUIDANCE