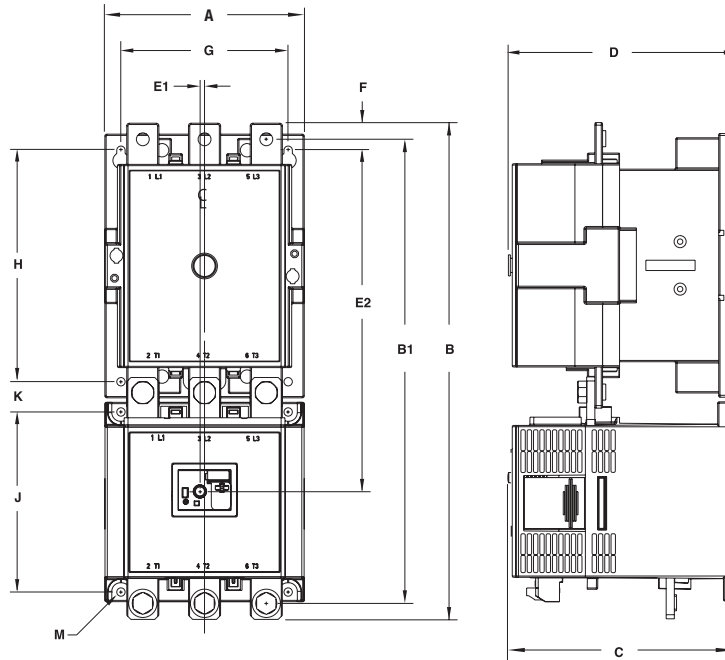


CEP7 Current Transformer Models mounted to CA6 Contactor (Discontinued)

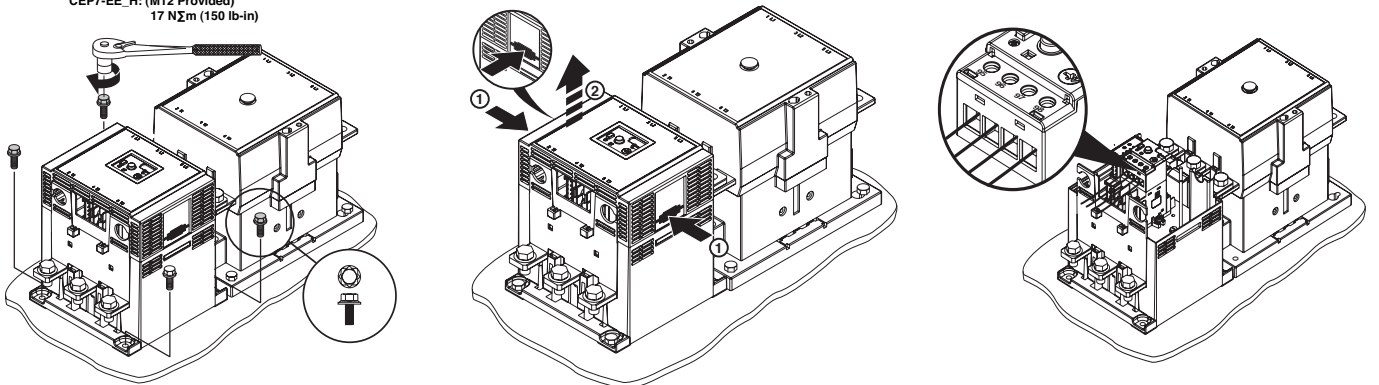
Dimensions are in millimeters (inches). Dimensions not intended for manufacturing purposes.



Overload Relay Cat.	Contactor Cat.	A Width	B Height		B1	C Depth	D	E1	E2	F	G	H	J	K	M
			Without Terminal Covers	With Terminal Covers											
CEP7-EEHF CEP7-EEJF	CA6-115 (EI)	120 (4.72)	339.8	418	317.8 (12.51)	152.7 (6.01)	156 (6.14)	36 (.14)	226.3 (8.91)	16 (.63)	100 (3.94)	145 (5.71)	135 (5.31)	22.3 (.88)	5.6 (0.22)
	CA6-140 (EI)		418	418											
	CA6-180 (EI)		418	418											
CEP7-EE_G	CA6-210 EI	155 (6.10)	385.8	487.4	360.8 (14.2)	176.5 (6.95)	180 (7.09)	36 (.14)	265.5 (10.44)	21 (.83)	130 (5.12)	180 (7.09)	140 (5.51)	23.5 (.93)	6.5 (0.26)
	CA6-300-EI		487.4	487.4											
	CA6-420 EI		487.4	487.4											
CEP7-EE_H	CA6-630 EI	255 (10.04)	552	915	508 (20)	269.3 (10.6)	270.7 (10.66)	36 (.14)	384.1 (15.12)	52.5 (2.07)	226 (8.90)	230 (9.06)	108 (4.25)	109 (4.29)	13 (0.51)
	CA6-860 EI		915	915											

Assembly Instructions

- CEP7-EE_F: (M5)
3.4 NΣm (30 lb-in)
- CEP7-EE_G: (M6)
5.1 NΣm (45 lb-in)
- CEP7-EE_H: (M12 Provided)
17 NΣm (150 lb-in)



① 8 mounting holes.