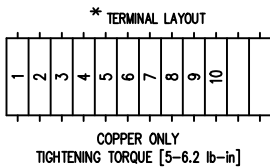
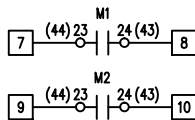
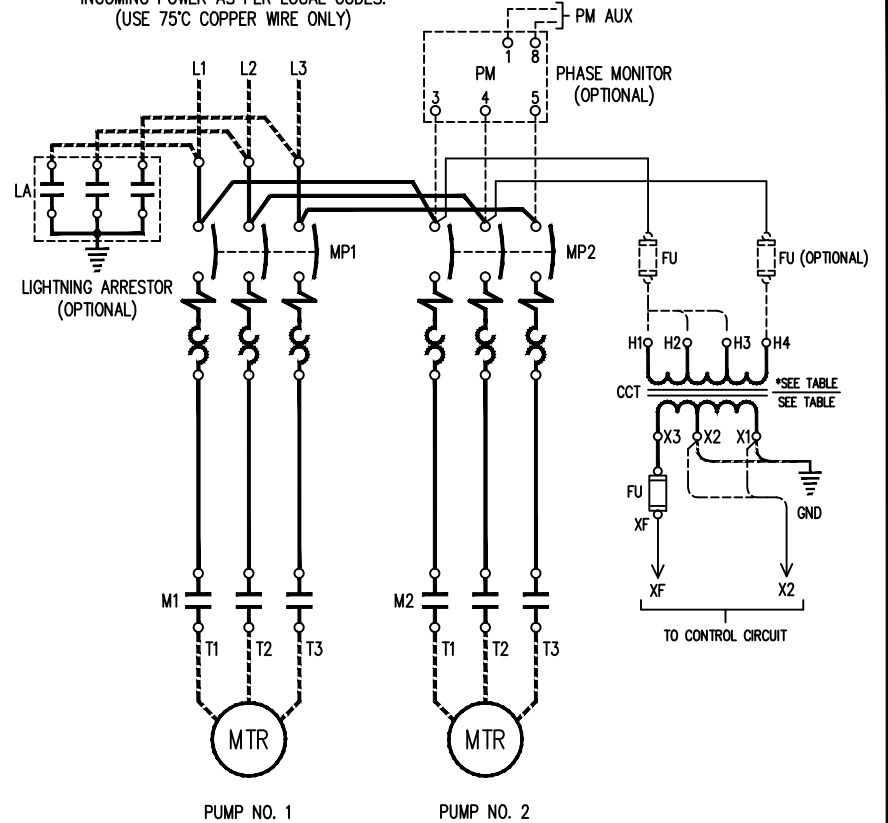


FS1 - "STOP" FLOAT SWITCH
 FS2 - "LEAD" FLOAT SWITCH
 FS3 - "LAG" FLOAT SWITCH



CUSTOMER TO SUPPLY PROPERLY PROTECTED
 INCOMING POWER AS PER LOCAL CODES.
 (USE 75°C COPPER WIRE ONLY)



*SEE TABLE
 *SEE TABLE

*CCT TABLE
 *SEE SPECIFIC ORDER FOR PRIMARY VOLTAGE

BXXXMBT713XK TYPE XFMR		
PRIMARY CONNECTIONS		
VOLTAGE	LINE	JUMPER
200/208	H3 H4	NA
220/230/240	H2 H4	NA
440/480/480	H1 H4	NA
SECONDARY CONNECTIONS		
23/24/25	XF X2	NA
110/115/120	XF X1	NA

NOTE:
 1). X2 TERMINAL GROUNDED AS STANDARD, REMOVE IF NOT REQUIRED.

REV	CHANGE	DATE	BY
-	-	-	-
-	-	-	-
-	-	-	-
-	-	-	-
-	-	-	-

NOTICE
 THIS DRAWING IS THE CONFIDENTIAL PROPERTY OF SPRECHER+SCHUH, INC. and, as such, is subject to recall at any time. The drawing may not be reproduced, used or disclosed for any purpose except as authorized by SPRECHER+SCHUH, INC.

DRAWN BY:
 JR
 CHECKED BY:
 JR
 APPROVED BY:
 JR
 DATE
 11-7-05

KTA7 TYPE E COMBINATION 3-PH
 FVNR DUPLEX ALTERNATING PANEL
 W/H-O-A, LEAD, LAG, STOP
 1-POLE FLOAT SWITCHES

sprecher+schuh HOUSTON, TEXAS

DWG. NO. CXDP7 WS-115-50 SERIES 100