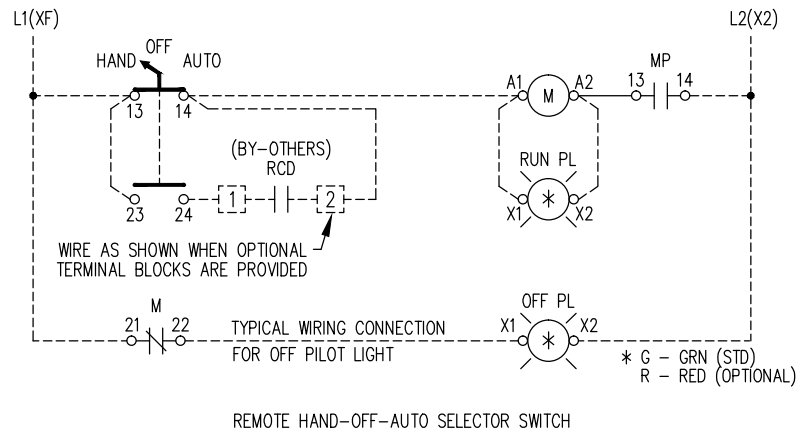
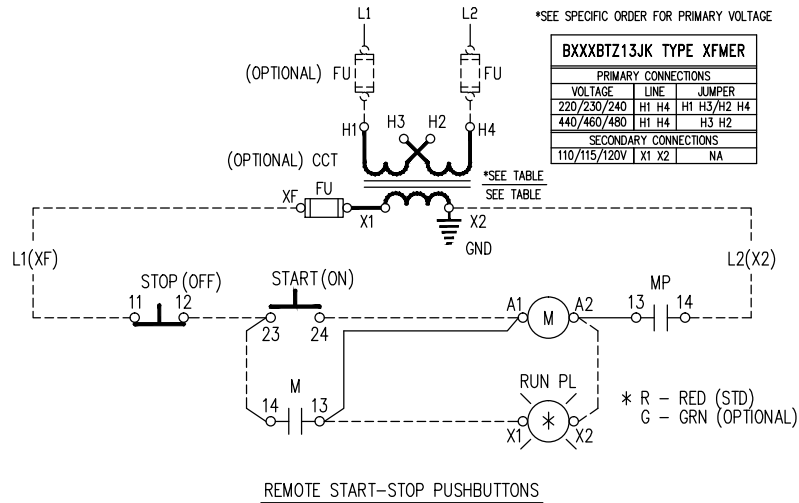
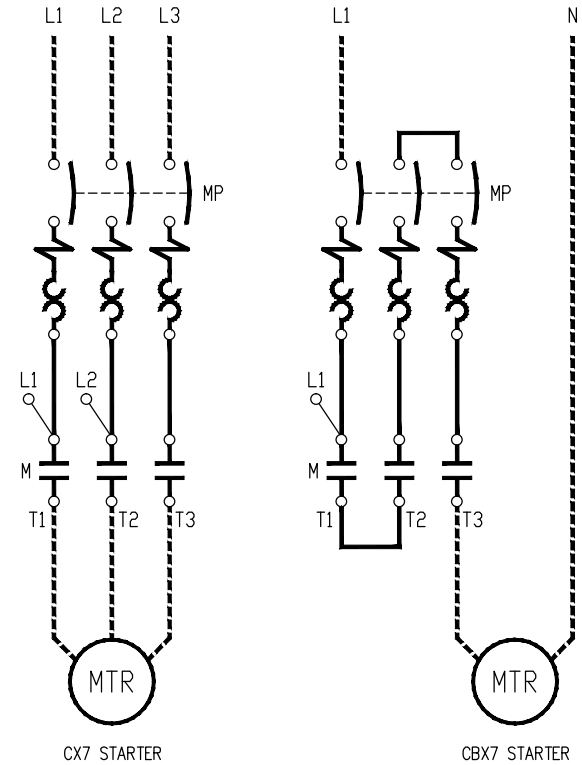


CUSTOMER TO SUPPLY PROPER BRANCH
CIRCUIT PROTECTION AS PER LOCAL CODES.
(USE 75°C COPPER WIRE ONLY)



*SEE SPECIFIC ORDER FOR PRIMARY VOLTAGE

BXXXBTZ13JK TYPE XFMR			
PRIMARY CONNECTIONS			
VOLTAGE	LINE	JUMPER	
220/230/240	H1 H4	H1	H3/H2 H4
440/460/480	H1 H4	H3 H2	
SECONDARY CONNECTIONS			
110/115/120V	X1 X2	NA	



NOTES:

- 1) RCD: STANDS FOR REMOTE CONTROL DEVICE BY CUSTOMER.
- 2) MP: KT7 "TYPE E" MOTOR CONTROLLER.
- 3) X2 TERMINAL GROUNDED AS STANDARD, REMOVE GROUND IF NOT REQUIRED.

REV	CHANGE	DATE	BY
4	REVISED SINGLE PHASE POWER CIRCUIT.	12-10-14	CG
3	GENERAL REVISION	11-06-12	MB
2	CHANGED PUSH BUTTON CONTACT NUMBERS FOR D7	06-13-07	GS
1	GENERAL REVISION	06-30-06	JR

NOTICE

THIS DRAWING IS THE CONFIDENTIAL PROPERTY OF SPRECHER+SCHUH, INC. and, as such, is subject to recall at any time. The drawing may not be reproduced, used or disclosed for any purpose except as authorized by SPRECHER+SCHUH, INC.

DRAWN BY:
JR
CHECKED BY:
JR
APPROVED BY:
-
DATE
11-30-00

TYPE E COMBINATION CONTROLLER
FULL VOLTAGE NON-REVERSING
AC CONTROL
W/O COVER CONTROL

sprecher+schuh HOUSTON, TEXAS

DWG. NO. CX7 WS-114-02A SHEET 1 OF 2 SERIES 100