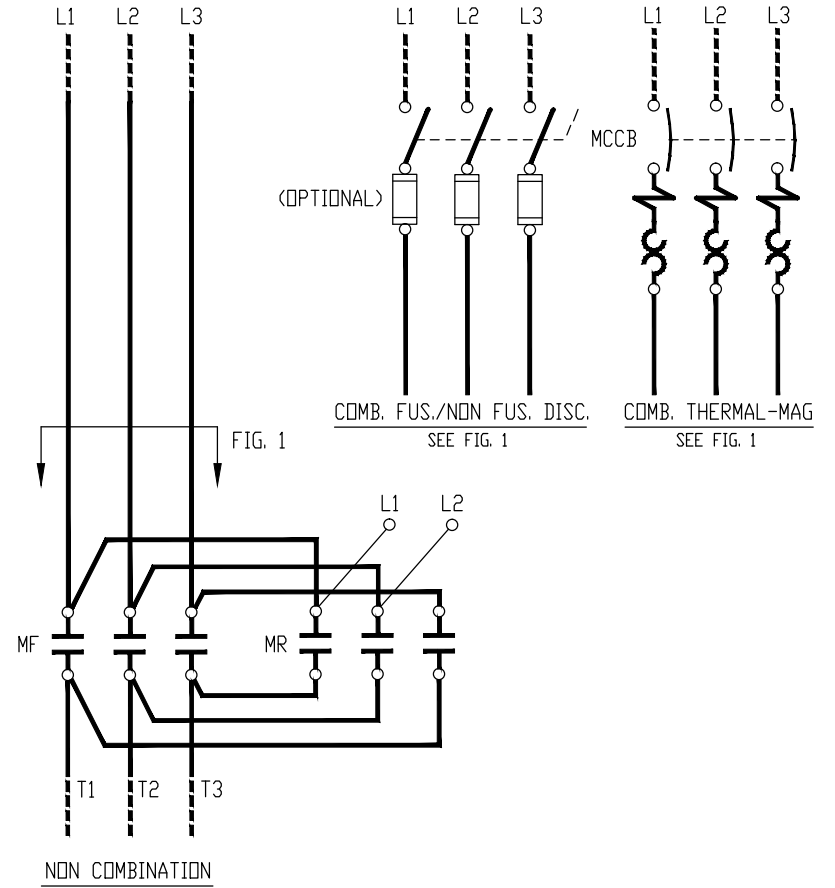


FORWARD OFF REVERSE SEL. SW.

NOTES:

- 1). X2 TERMINAL GROUNDED AS STANDARD, REMOVE IF NOT REQUIRED.
- 2). MI STANDS FOR MECHANICAL INTERLOCK.



7	GENERAL REVISION	4-25-12	MR
REV.	DESCRIPTION	DATE	APP'D
DESIGNED EAP	REVERSING CONTACTORS THREE PHASE CAU7 CONTACTORS	sprecher+schuh HOUSTON, TEXAS	
DRAWN EAP			
APPROVED PAB		DWG. NO.	SERIES
DATE 12/87		CAU WS-103-02	100