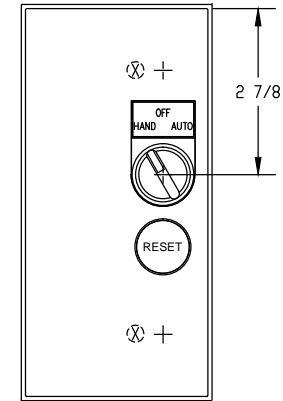
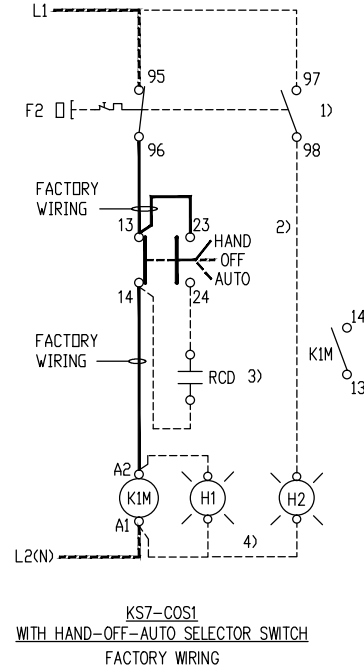
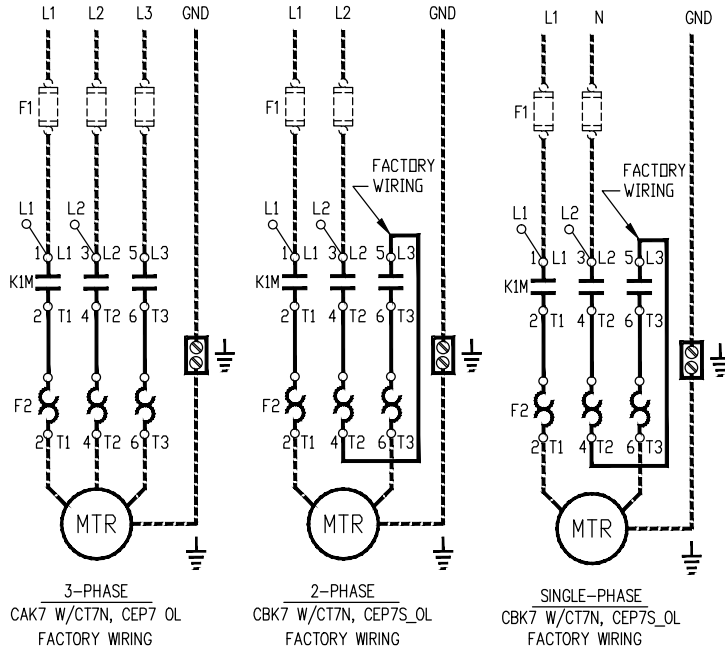


CUSTOMER MUST PROVIDE PROPER BRANCH CIRCUIT PROTECTION (F1)  
 SEE THE APPLICATION INSTRUCTION SHEET - COMPONENT SELECTION TABLES  
 FOR MAX. FUSE SIZE & CLASS AND APPLICABLE SHORT CIRCUIT RATING  
 (USE 75°C COPPER WIRE ONLY)



THIS DRAWING IS FOR USE WITH KS7-COS1 ENCLOSURE  
 with integrated RESET push button, factory modified to  
 add the H-O-A SWITCH. A pilot device hole must be  
 drilled as shown above.

DANGER: THE OPENING OF THE BRANCH CIRCUIT PROTECTIVE DEVICE MAY BE AN INDICATION THAT  
 A FAULT CURRENT HAS BEEN INTERRUPTED.  
 TO REDUCE THE RISK OF FIRE OR ELECTRIC SHOCK, CURRENT-CARRYING PARTS AND OR OTHER  
 COMPONENTS OF THE CONTROLLER SHOULD BE EXAMINED AND REPLACED IF DAMAGED.

DANGER: A MOTOR CONNECTED TO THE CIRCUIT MAY START AUTOMATICALLY WHEN THE OVERLOAD  
 RELAY IS SET IN THE AUTOMATIC RESET POSITION.

A. C. Coil Code	Voltage Range		Control Source		
	50 Hz	60 Hz	CBK7	CAK7	
24Z	24V	24V	Separate	Separate	
120	110V	120V	Common	Separate	
208	~	208V	~	Common	
220W	~	208V-240V	Common	Common	
240	Common	240V	Common	Common	
D. C.		Voltage Range		Control Source	
Coil Code		VDC		CBK7 CAK7	
24E		24V		Separate Separate	

NOTES:

- 1) OL INDICATION CONTACT 97-98 (USE IS OPTIONAL).
- 2) H-O-A SWITCH: D7D-SM32X20.
- 3) RCD: REMOTE CONTROL DEVICE BY OTHERS.
- 4) OPTIONAL PILOT LIGHTS.

-	-	-	-	<b>NOTICE</b> THIS DRAWING IS THE CONFIDENTIAL PROPERTY OF SPRECHER+SCHUH, INC. and, as such, is subject to recall at any time. The drawing may not be reproduced, used or disclosed for any purpose except as authorized by SPRECHER+SCHUH, INC.	DRAWN BY: JR	<b>KWIKSTARTERS II</b> FULL VOLTAGE NON-REVERSING CAK/CBK 7-9...23- * - ◆ - P0+1R7 CAK/CBK X207- * - ◆ - P0+1R7	<b>sprecher+schuh</b> HOUSTON, TEXAS	
-	-	-	CHECKED BY: JR		DWG. NO.			CAK7 WS-102-07
-	-	-	APPROVED BY: JR		DATE			SERIES
2	REVISED NOTES.	4-23-12	MR		7-08-09			
1	REVISED NOTES.	3-10-11	MB					
REV	CHANGE	DATE	BY					