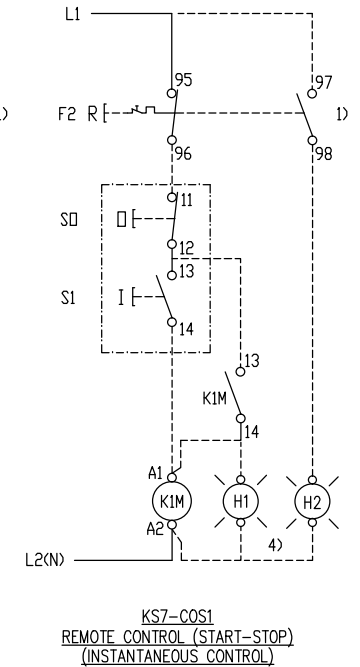
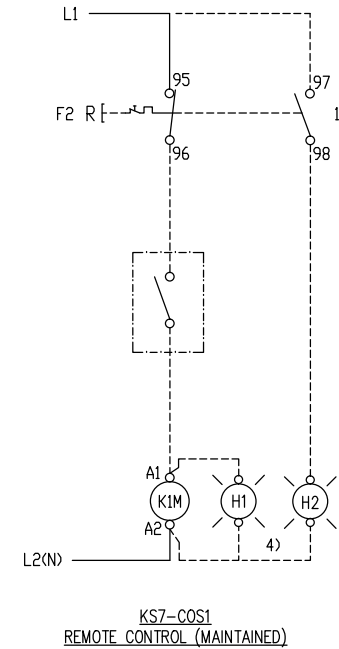
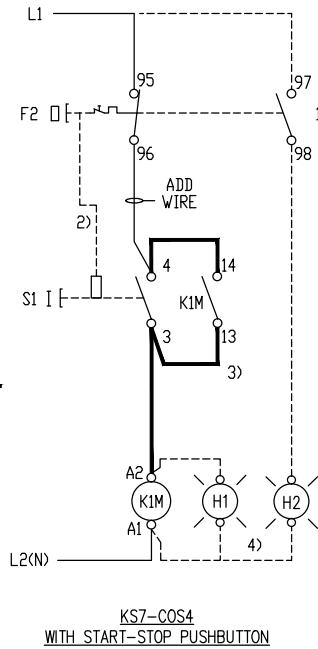
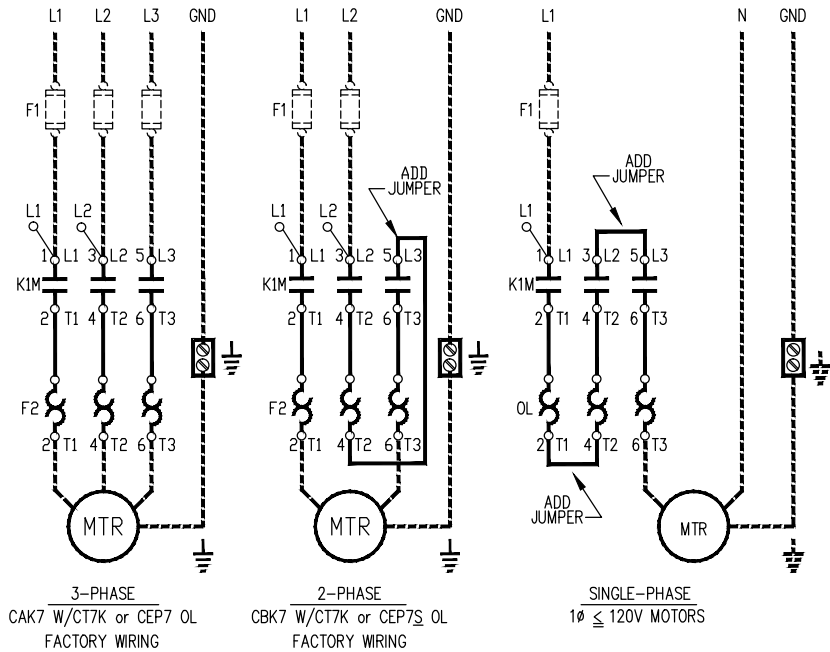


CUSTOMER MUST PROVIDE PROPER BRANCH CIRCUIT PROTECTION (F1)
SEE THE APPLICATION INSTRUCTION SHEET - COMPONENT SELECTION TABLES
FOR MAX. FUSE SIZE & CLASS AND APPLICABLE SHORT CIRCUIT RATING
(USE 75°C COPPER WIRE ONLY)



DANGER: THE OPENING OF THE BRANCH CIRCUIT PROTECTIVE DEVICE MAY BE AN INDICATION THAT A FAULT CURRENT HAS BEEN INTERRUPTED.
TO REDUCE THE RISK OF FIRE OR ELECTRIC SHOCK, CURRENT-CARRYING PARTS AND OR OTHER COMPONENTS OF THE CONTROLLER SHOULD BE EXAMINED AND REPLACED IF DAMAGED.

DANGER: WITH THE MECHANICAL LATCH (2) INSTALLED OR WHEN WIRED FOR 2-WIRE CONTROL. A MOTOR CONNECTED TO THE CIRCUIT MAY START AUTOMATICALLY WHEN THE OVERLOAD RELAY IS IN THE AUTOMATIC RESET POSITION.

THIS DRAWING IS FOR USE WITH THE FOLLOWING ENCLOSURES:
KS7-COS4 with integrated START/STOP push buttons
KS7-COS1 with integrated RESET push button

A.C. Coil Code	Voltage Range		Control Source	
	50 Hz	60 Hz	CBK7	CAK7
24Z	24V	24V	Separate	Separate
120	110V	120V	Common	Separate
208	~	208V	~	Common
220V	~	208V-240V	Common	Common
240	220V	240V	Common	Common
D.C. Coil Code	Voltage Range		Control Source	
	VDC		CBK7	CAK7
24E	24V		Separate	Separate

NOTES:

- 1) OL INDICATION CONTACT 97-98 NOT AVAILABLE ON CT7K.
- 2) MECHANICAL LATCH KS7-PLA FOR MAINTAINED CONTROL (OPTIONAL).
- 3) START CONTACT KIT KS7-PCK (INCLUDED) MOUNTS ON THE RIGHT SIDE WITH PRE-FORMED JUMPERS.
- 4) OPTIONAL PILOT LIGHTS.

5	REVISED SINGLE PHASE 120V POWER CIRCUIT.	8-12-16	CG	<p align="center">NOTICE</p> <p>THIS DRAWING IS THE CONFIDENTIAL PROPERTY OF SPRECHER+SCHUH, INC. and, as such, is subject to recall at any time. The drawing may not be reproduced, used or disclosed for any purpose except as authorized by SPRECHER+SCHUH, INC.</p>	DRAWN BY: JR	<p align="center">KWIKSTARTERS II FULL VOLTAGE NON-REVERSING CAK/CBK 7-9...23- * -♦-P2/P0</p>	<p align="center">sprecher+schuh HOUSTON, TEXAS</p>	
4	REVISED NOTES.	3-10-11	MB		CHECKED BY: JR			DWG. NO.
3	GENERAL REVISION	9-17-09	MB		APPROVED BY: JR			SERIES
2	REVISED NOTES	9-26-07	JR		DATE			CAK7 WS-102-05
1	REVISED TO CHANGE TERMINAL LABELS	7-17-07	MB		3-07-07			100
REV	CHANGE		DATE	BY				