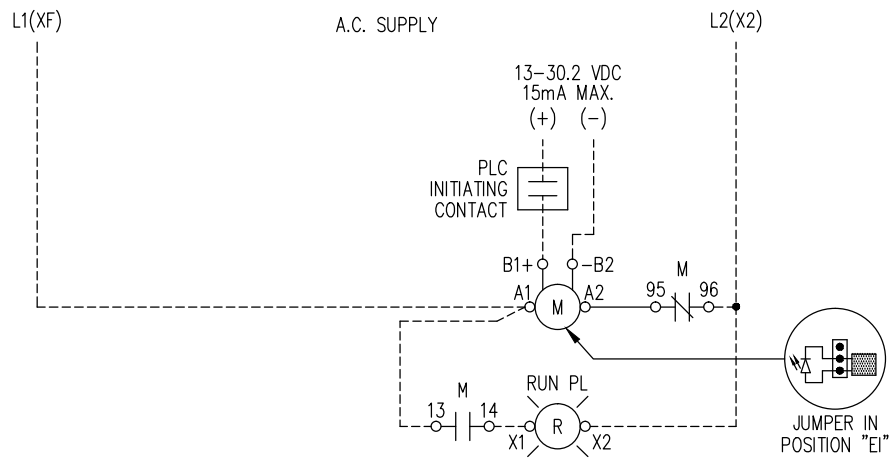


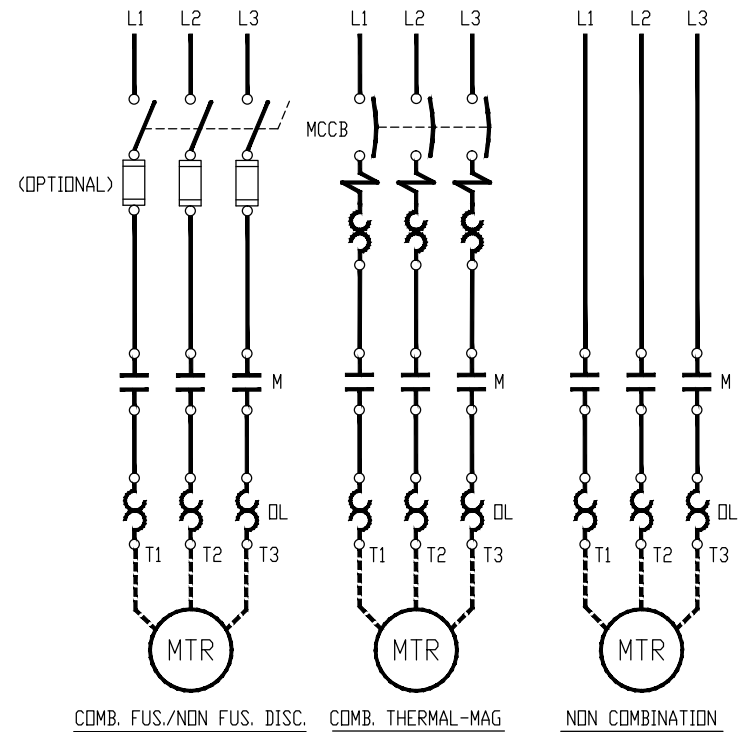
"E" MODE OR NORMAL OPERATION

TYPICAL 2-WIRE CONTROL CIRCUIT CA6-115-EI THRU CA6-420-EI



"EI" MODE OR INTERFACE OPERATION

TYPICAL PLC CONNECTION OR OTHER LOGIC DEVICES CA6-115-EI THRU CA6-420-EI



NOTES:

- 1) CONTACTOR COIL [M] IS AN ELECTRONIC COIL.
- 2) BE ADVISED...24VDC COIL...REQUIRES 25 AMPS FOR 10MS.

1	GENERAL REVISION	4-24-12	MR
REV	DESCRIPTION	DATE	APP'D
DESIGNED ER	FULL VOLTAGE NON-REVERSING MAGNETIC STARTERS CA6-115-EI THRU CA6-420-EI ELECTRONIC COIL W/ DC CONTROL	sprecher+ schuh HOUSTON, TEXAS	
DRAWN ER			
APPROVED		DWG. NO.	SERIES
DATE 2-14-00		CAT WS-101-71	100