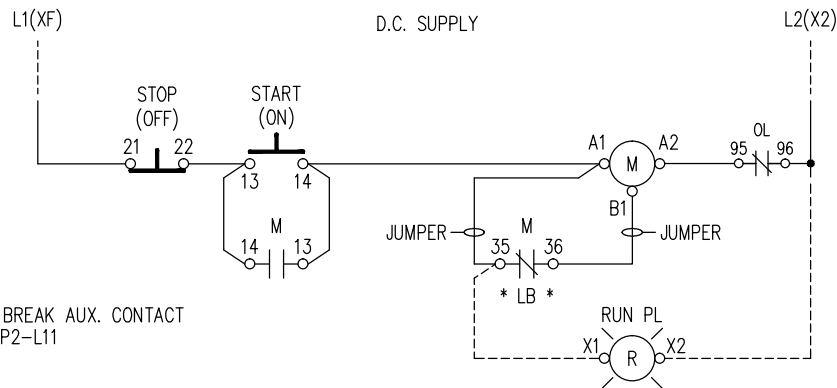


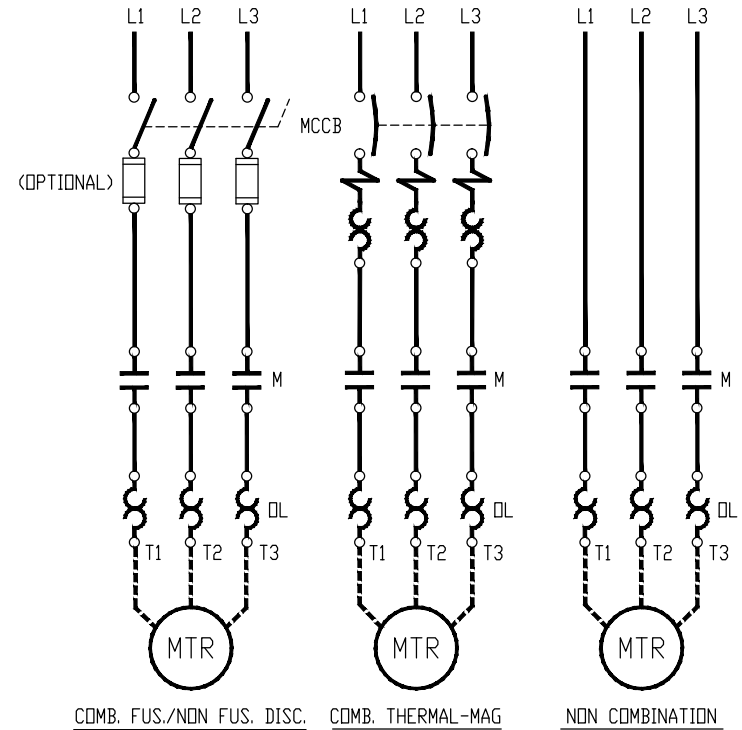
\* LB \* LATE BREAK AUX. CONTACT  
CA6-P2-L11

2-WIRE CONTROL CA6-115 THRU CA6-180 CONVENTIONAL COIL



\* LB \* LATE BREAK AUX. CONTACT  
CA6-P2-L11

START-STOP PUSHBUTTON CONTROL CA6-115 THRU CA6-180 CONVENTIONAL COIL



COMB. FUS./NON FUS. DISC.

COMB. THERMAL-MAG

NON COMBINATION

2	GENERAL REVISION	4-24-12	MR
REV	DESCRIPTION	DATE	APP'D
DESIGNED ER	FULL VOLTAGE NON-REVERSING STARTER CA6-115, 140, 180 CONVENTIONAL COILS W/O COVER CONTROLS	<b>sprecher+schuh</b> HOUSTON, TEXAS DWG. NO. CAT WS-101-70      SERIES 100	
DRAWN ER			
APPROVED			
DATE 10-21-97			