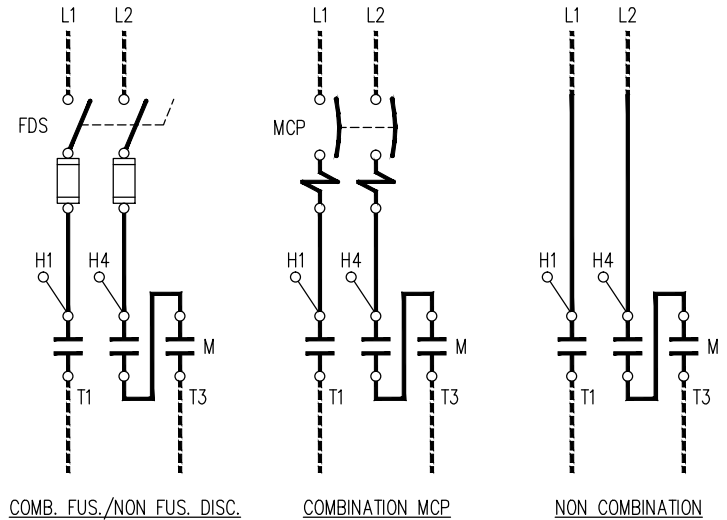


FUSES PROVIDED BY-OTHERS



NOTES:

- 1) RCD: STANDS FOR REMOTE CONTROL DEVICE BY CUSTOMER.
- 2) X2 TERMINAL GROUNDED AS STANDARD, REMOVE GROUND IF NOT REQUIRED.
- 3) DO NOT WIRE CONTROL CIRCUIT TO LINE SIDE OF CONTACTOR WHEN VOLTAGE IS 120V OR LESS

REV	DESCRIPTION	DATE	APP'D
DESIGNED S+S	SERIES CB CONTACTORS FULL VOLTAGE NON REVERSING W/ REMOTE CONTROL DEVICES SINGLE PHASE	sprecher+ schuh HOUSTON, TEXAS	
DRAWN MB		DWG. NO. SERIES	
APPROVED MF		CB WS-100-11 100	
DATE 6-1-15			